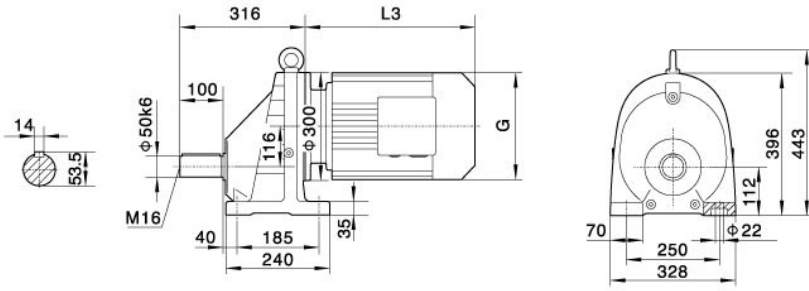
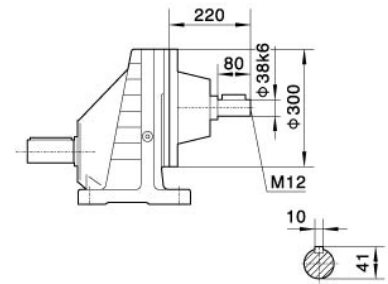


外形安装尺寸 Mounting Dimension Sheets-overview

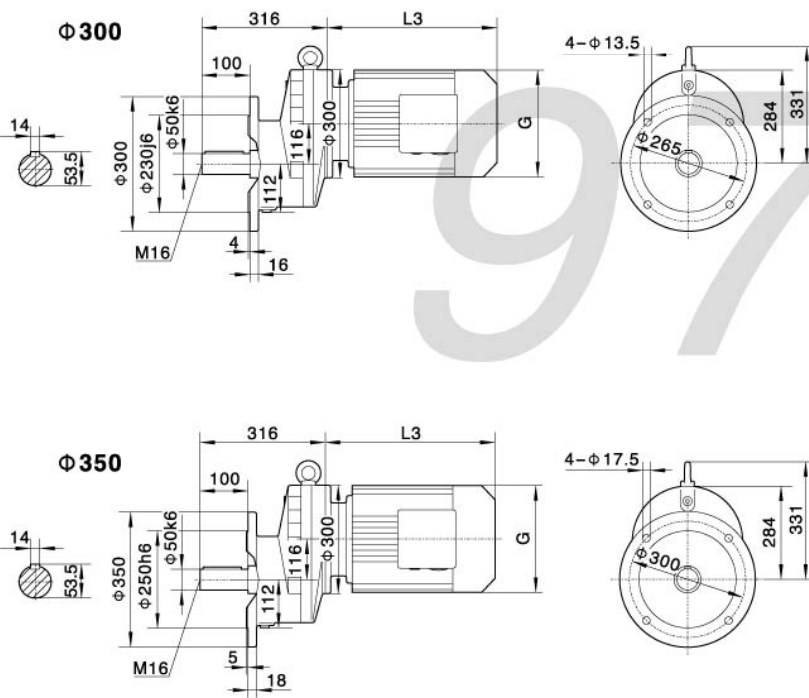
RX97



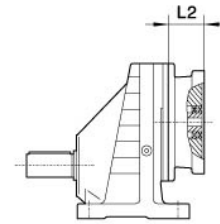
RX..S97



RXF97



电机需方配时或配特殊电机时需加联接法兰
When equipping the user's motor or the special one, the flange is required to connected.



注：其余尺寸见相应的结构形式
Note: For other values please refer to the oppsited structure

Y2电机机座号 Motor size	132S	132M	160M	160L	180M	180L	200	
功率/4P Power/(kW)	5.5	7.5	11	15	18.5	22	30	
L3	425	461	524	547	555	588	654	
G	275	275	330	330	380	380	420	
L2	101	101	126	126	126	126	126	

注：“RX..”表示RX、RXF
Note:“RX..”mean RX、RXF